

SMARTCAR FORTWO BLOW-OFF VALVE ADAPTOR INSTRUCTIONS

IMPORTANT NOTES ON FITTING YOUR BOV SMARTCAR ADAPTOR

Turbosmart recommends that your Blow Off Valve (BOV) and Adaptor kit is fitted by an appropriately qualified technician.

ADAPTOR KIT CONTENTS

Please check that the following items have been provided in your Smartcar Adaptor Kit.

Quantity	Description	Use
1	Smartcar adaptor pipe	Joining pipe from the intercooler to the throttle body
2	38.1mm ID Silicon joiner	Joins Smartcar adaptor to the intercooler and the throttle body
4	50mm hose clamps	Secures the 38.1mm ID Silicon joiners onto the Smartcar adaptor and engine pipes
1	Pre-assembled tee-piece and Silicon hose assembly	Connects the fuel-pressure regulator, Turbosmart Type I BOV and existing factory boost/vacuum line
2	3mm Hose spring clamps	Secures the 3mm Silicon hose on the fuel-pressure regulator and the factory boost/vacuum line on the tee-piece fitting
1	5mm Hose spring clamps	Secures the 5mm Silicon hose onto the Turbosmart Type I BOV

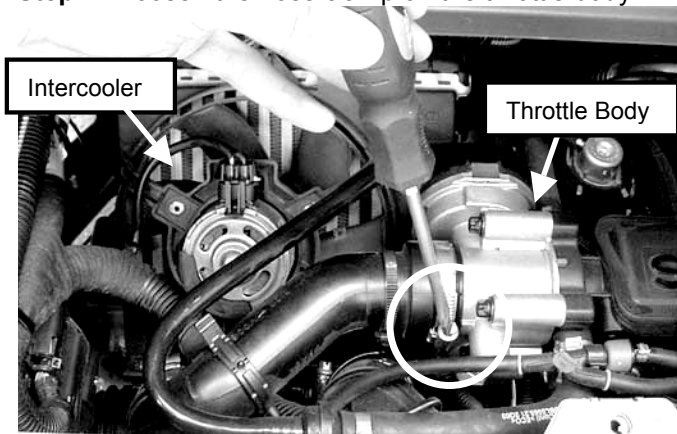
Note: This Smartcar adaptor is designed to accept the Turbosmart BOV Type I only, as listed below. In order to fit any other Turbosmart BOV, custom fabrication is required.

Blow Off Valve Name	Part No.
Blow-off Valve – Type I	FG-BOV-001

FITTING YOUR BOV SMARTCAR ADAPTOR

Note: Please thoroughly read and understand both these instructions and the fitting instructions supplied with your BOV before commencing this installation.

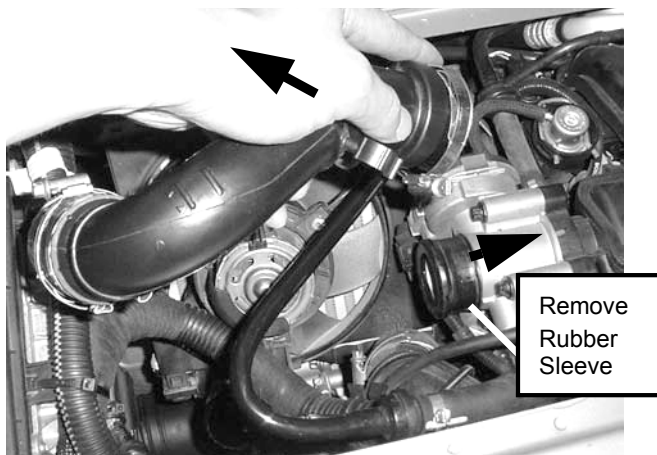
Step 1. Loosen the hose clamp on the throttle body.



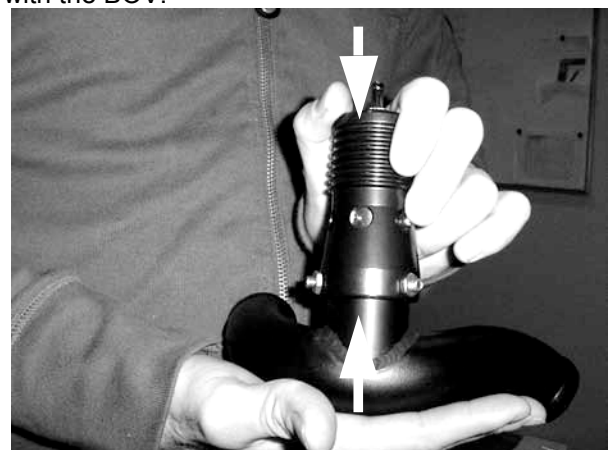
Step 2. Loosen the hose clamp on the intercooler side.



Step 3. Remove the factory pipe and rubber sleeve on the throttle body.



Step 4. Install your Turbosmart Type 1 BOV onto the Smartcar adaptor by following the instructions included with the BOV.



SMARTCAR FORTWO BLOW-OFF VALVE ADAPTOR INSTRUCTIONS

Step 5. Install one of the Silicon joiners supplied onto the intercooler housing and secure it with the 50mm hose clamp supplied. Then fit the left hand side of the Smartcar adaptor onto the intercooler housing Silicon joiner.

Fits onto intercooler housing



Step 6. Install the other Silicon joiner supplied onto the throttle body and secure it with a 50mm hose clamp. Then fit the right hand side of the Smartcar adaptor onto the throttle body Silicon joiner.

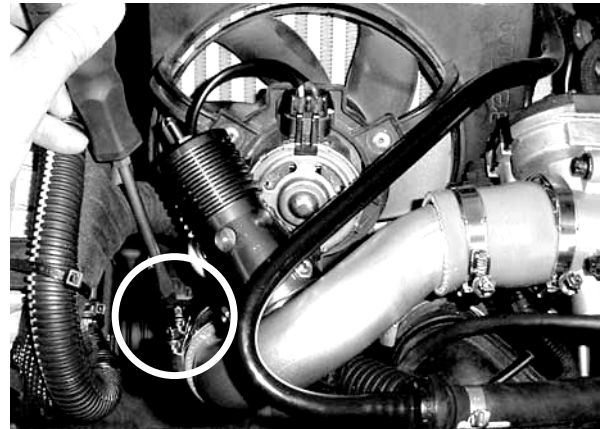
Fits onto throttle body



Step 7. Tighten the two 50mm hose clamps supplied on the throttle body side with a 7mm socket or screwdriver.



Step 8. Tighten the two remaining 50mm hose clamps supplied on the intercooler side with a 7mm socket or screwdriver.

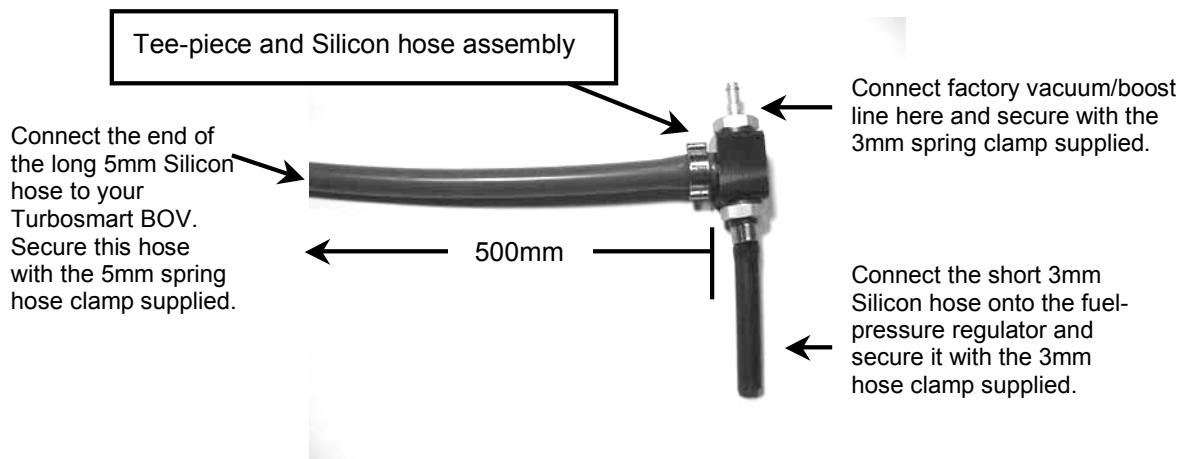


Step 9. Remove the factory boost/vacuum line to expose the fuel-pressure regulator fitting.



SMARTCAR FORTWO BLOW-OFF VALVE ADAPTOR INSTRUCTIONS

Step 10. Connect the pre-assembled tee-piece and silicon hose assembly as shown below.



Step 11. When installed, the fully assembled tee-piece connection should look the same as the diagram below.



Step 12. Ensure there is adequate clearance around the BOV allowing for engine movement and that the BOV does not interfere with the intercooler cooling fan.

Step 13. Please refer to the instructions supplied with your BOV for more information on fitting the product.

TROUBLE SHOOTING

The following points should be checked if you find that your engine is dipping below normal idle, stalling or if the BOV is functioning poorly. Please note the following checks will cure 99% of problems experienced with fitting your BOV.

- Check that the O-ring on the base of the Type I BOV is fitted correctly and is in good condition.
- Ensure that the Type I BOV grub screws and lock-nuts are tightened on the adaptor.
- Ensure that Silicon Hose Couplers sit securely over the Smartcar Adaptor and factory pipes.
- Ensure 50mm hose clamps are tightened over Silicon hose couplers.
- Ensure all Silicon hoses are properly connected and secured with the spring clamps supplied.



PART NUMBER
FG-ADM-SMART

SMARTCAR FORTWO BLOW-OFF VALVE ADAPTOR INSTRUCTIONS

TURBOSMART ONE YEAR LIMITED WARRANTY

Turbosmart is a company built on Customer Satisfaction and Service. That is why all of our products go through regimented test procedures before they are packaged and shipped. Turbosmart stands behind its products for one full year after purchase. Terms of Warranty, Service and Returns are as follows:

Limited Warranty: Turbosmart warrants its products to be free from defects in material and workmanship under normal use and if properly installed for a period of one year from date of purchase. If found to be defective, it will be replaced or repaired if returned prepaid along with proof of date of purchase. This shall constitute the sole remedy of the purchaser and the sole liability of Turbosmart to the extent permitted by law, the foregoing is exclusive and in lieu of all other warranties or representations whether expressed or implied, including any implied warranty of merchantability or fitness. In no event shall Turbosmart be liable for special or consequential damages. This warranty is only valid on products purchased from Turbosmart Authorized Dealers.

Service: After the warranty period has expired, repair service is charged based on a minimum and maximum charge rate. (Contact Customer Service for current rate).

Returns: When returning a Turbosmart product for repair, it must be accompanied by a completed Customer Warranty Form and RMA number. To access this form please go to our website www.turbosmartonline.com and you will find it on the Downloads page.

THE TURBOSMART PLEDGE

DO NOT USE ANY TURBOSMART PRODUCT UNTIL YOU HAVE CAREFULLY READ AND UNDERSTOOD THE FOLLOWING AGREEMENT.

Please call if you have any questions or do not understand this agreement. Refer to our brochure, website or catalogue for terms and conditions and further information regarding your product. Turbosmart appreciates your business and pride ourselves on our customer service. We are always happy to offer you advice and will provide you with help in any way we can. The purpose of this agreement is to avoid any problems or hard feelings.

We sometimes make mistakes, as do our dealers, distributors and suppliers. Even customers can sometimes order the wrong parts. Do not use, modify, install, trial assemble, nick, drop, scratch or adjust any part until you first check for any damage. Damage must be reported immediately. NO EXCEPTIONS. If there are any components missing please contact your authorized reseller immediately upon receipt of your shipment. Missing components must be reported within five (5) business days of receipt. Parts returned for any reason MUST BE IN RESALABLE CONDITION. It is YOUR responsibility, "THE CUSTOMER" to carefully package any returns to avoid shipping damage. Insurance is highly recommended. Credit cannot be issued for damaged goods.

Turbosmart warrants the quality of the products it designs and manufactures to be free of defects in material and workmanship. This limited warranty is extended only to the original purchaser and may not be transferred or assigned. This limited warranty applies to any product, which after careful inspection by Turbosmart, after receipt of the product from our authorized reseller, is found to have a defect in either material or workmanship. Any modifications to the product will void any and all warranties and will not be exchanged. Before installation, check new car warranty. Turbosmart is not responsible for voiding any original manufactures warranty.

All warranty claims must be returned to the nearest Turbosmart Office, you must return the product and sales receipt, at your own expense, accompanied by the Customer Warranty Form stating the reason for the claim. Proof of purchase must be provided with any warranty claim and will be verified with the authorized reseller from which the product was purchased.

If all the above procedures are followed, and the product is found to be defective in either workmanship or material, Turbosmart shall either repair or replace the product, at its sole discretion, and sole cost. This limited warranty does not cover or apply to any personal injury, labor charges or any other incidental costs or damages caused by the defective product. The individual purchaser acknowledges and agrees that the disclaimer of any liability for personal injury is a material term for this agreement and the individual purchaser agrees to indemnify Turbosmart and to hold Turbosmart harmless for any claim related to the item of the equipment purchased. Under no circumstances will Turbosmart be liable for any damages or expenses by reason of use or sale of any such equipment.

THIS LIMITED WARRANTY IS THE ONLY EXPRESS WARRANTY, WHICH APPLIES TO TURBOSMART PRODUCT AS EXPRESSLY GIVEN IN LIEU OF ANY OTHER WARRANTY EXPRESSED OR IMPLIED, INCLUDING THAT OF MERCHANTABILITY. ANY IMPLIED WARRANTY INCLUDING THAT OF MERCHANTABILITY AND/OR FITNESS FOR A PARTICULAR PURPOSE IS HEREBY LIMITED BY THE SAME TERMS AND TIME LIMITATIONS SET FORTH IN THIS LIMITED EXPRESS WARRANTY AND OTHERWISE EXCLUDED. EXCEPT FOR THOSE OBLIGATIONS ASSUMED HEREIN, TURBOSMART ASSUMES NO OTHER OBLIGATIONS IN CONNECTION WITH THE SALE OF ITS PRODUCTS.

IN THE EVENT THAT THE INDIVIDUAL PURCHASER DOES NOT AGREE WITH THIS AGREEMENT THE BUYER MAY PROMPTLY RETURN THIS PRODUCT, IN A NEW AND UN-USED CONDITION, WITH A DATED PROOF OF PURCHASE, TO THE PLACE OF PURCHASE WITHIN SEVEN (7) DAYS FROM THE DATE OF PURCHASE FOR A FULL REFUND. THE INSTALLATION OF THIS PRODUCT INDICATES THAT THE INDIVIDUAL PURCHASER HAS READ AND UNDERSTOOD THIS AGREEMENT AND ACCEPTS ITS TERMS AND CONDITIONS.

Happy motoring!
The Turbosmart Team.